



**Model G960 Resin/Gelcoat Spray Gun**  
**Documentation & Warranty Packet**  
**Documentación y Paquete de Garantía**

Thank you for purchasing G960 Spray Gun. If properly maintained, this sprayer will provide years of trouble free service.

Gracias por comprar la Pistola de Copa más favorita en el mundo. Si se mantiene apropiadamente, "ESTA" le proveerá muchos años de servicio sin problemas.

**WARRANTY/GARANTIA**

This model G960 Spray Gun is warranted against defects for a period of 60 days. Keep your original sales receipt for proof of purchase. ES Manufacturing, Inc. will replace or repair any defective part, either direct, or through the distributor, at the option of ES Manufacturing. ES Manufacturing reserves the right to inspect the merchandise at our facility. Transportation to and from the service center is the responsibility of the purchaser. ES Manufacturing, Inc. doesn't warrant uninterrupted or error-free operation of the products, and is not responsible for damage, loss, lost production or any other expenses due to the failure of this product. The supplied listing of nozzle suggestions is based on use comments and are no way guaranteed. This warranty in no way guarantees the suitability of this equipment for use with any material. No other warranty is expressed or implied.

El modelo G960 (Pistola Rociadora) esta garantizada si hay algun defecto por un periodo de 60 dias. Guarde el original de su recibo como prueba de compra. ES MFG., Inc. le reemplaza o repara alguna parte que venga defectuosa al momento de su compra. Si bien directamente o a través de nuestro Distribuidor. (Es la opción de ES Manufacturing, Inc.) ES Manufacturing se reserva el derecho de inspeccionar la mercancía devuelta en nuestras Oficinas. La transportación de la mercancía devuelta es responsabilidad única del comprador. ES Manufacturing, Inc. no garantiza interrupciones o algún error en la operación de este producto, tampoco es responsable por danos, perdidas o cualquier otro gasto debido al fallo de este producto. La lista que le proveemos con sugerencias para el uso de las boquillas están basados en comentarios de los usuarios y no hay forma que puedan ser garantizadas. Esta garantía no garantiza de ninguna manera el uso de este equipo con ningún material. Ninguna otra garantía es expresada o implicada.

**Important!**      **Important!**      **Important!**  
***Enclosed warranty sheet must be returned with a copy of your original bill of sale to ES Manufacturing for any service or returns!***

**¡Importante!**      **¡Importante!**      **¡Importante!**  
***Adjunto el Formulario de Garantía que debe ser retornada con una copia del recibo original al momento de la compra a ES Manufacturing para cualquier tipo de servicio o devolución.***

**Copyright 2007**

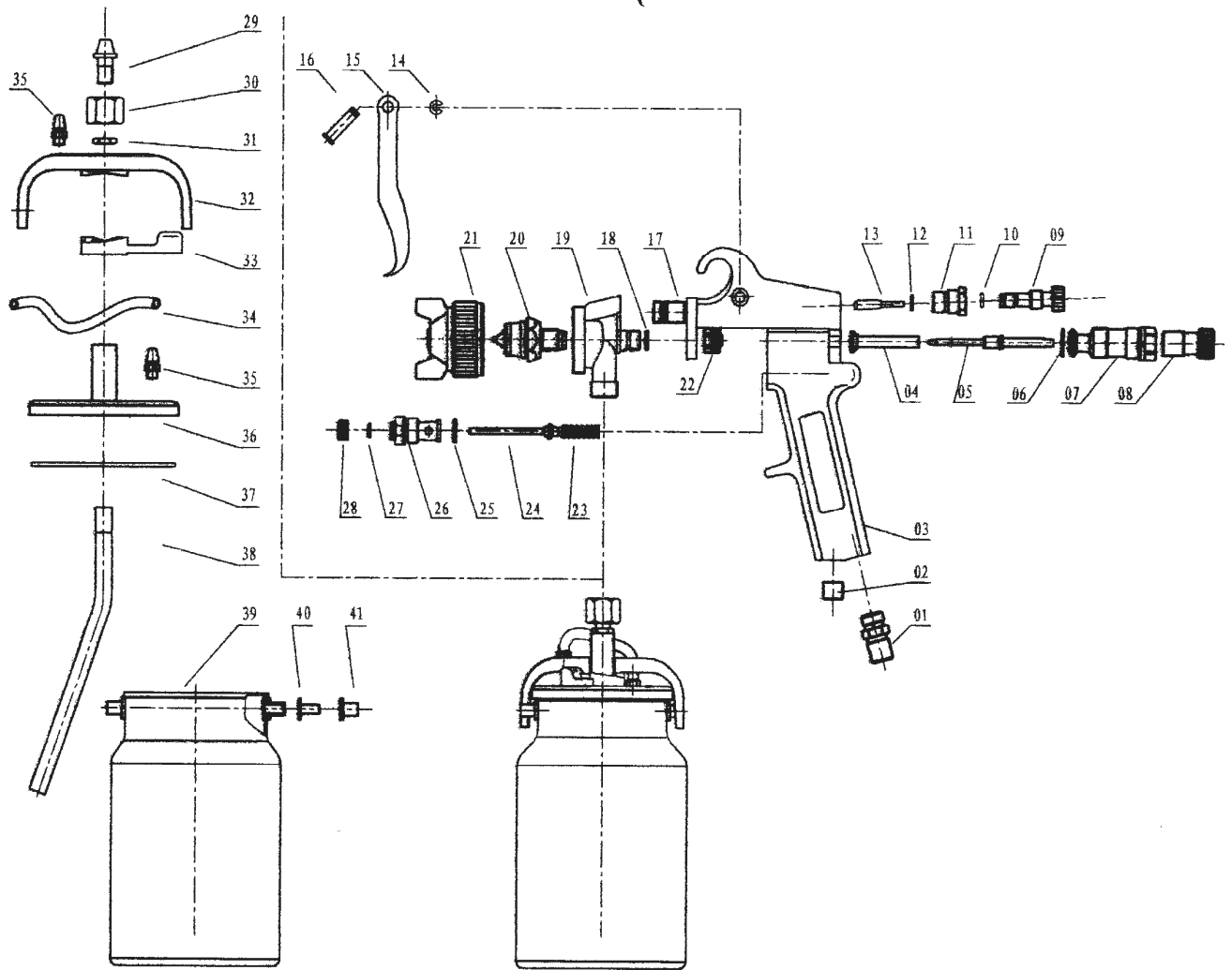
**ES Manufacturing, Inc.**

**2647 24<sup>th</sup> Street North St. Petersburg, FL 33713**

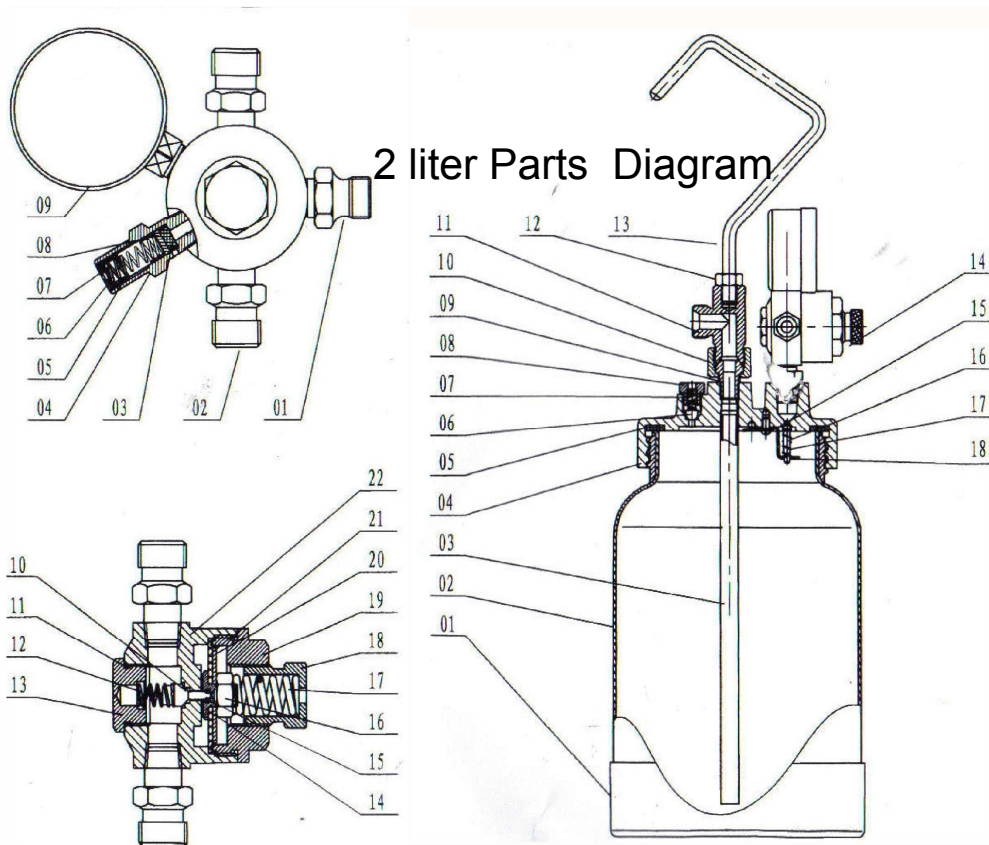
**US/Canada: 800-55ES-MFG, Local/International: 727-323-4040, Fax: 727-327-9872,**

**Website: www.esmfg.com    Email Address: sales@esmfg.com**

# G960 2.5 1L Parts List



No	Description	No	Description	No	Description
G960-001	Air Inlet Plug	G960-015	Trigger	G960-029	Fluid Inlet Plug
G960-002	Block	G960-016	Trigger Pin	G960-030	Air Inlet Nut
G960-003	Gun Body	G960-017	Connect Screw	G960-031	Nut
G960-004	Direction Pipe	G960-018	Washer	G960-032	Hanger Joint
G960-005	Fluid Adj. Needle	G960-019	Head	G960-033	Switch Hanger
G960-006	Washer	G960-020	Fluid Nozzle	G960-034	Pipe
G960-007	Fluid Control Screw	G960-021	Air Cap	G960-035	Joint Nozzle
G960-008	Fluid Adj. Screw	G960-022	Direction Screw	G960-036	Cover
G960-009	Pattern Adj. Screw	G960-023	Switch Spring	G960-037	Washer
G960-010	O-ring	G960-024	Switch Pipe	G960-038	Fluid Inlet Pipe
G960-011	Pattern Adj. Knob	G960-025	Sealing Washer	G960-039	Container
G960-012	Snap Retainer	G960-026	Switch Seat	G960-040	Flat Rivet
G960-013	Pattern Adj. Needle	G960-027	Washer	G960-041	Pin
G960-014	Snap Retainer	G960-028	Nut	PT10BAGPK100	Bag Liner



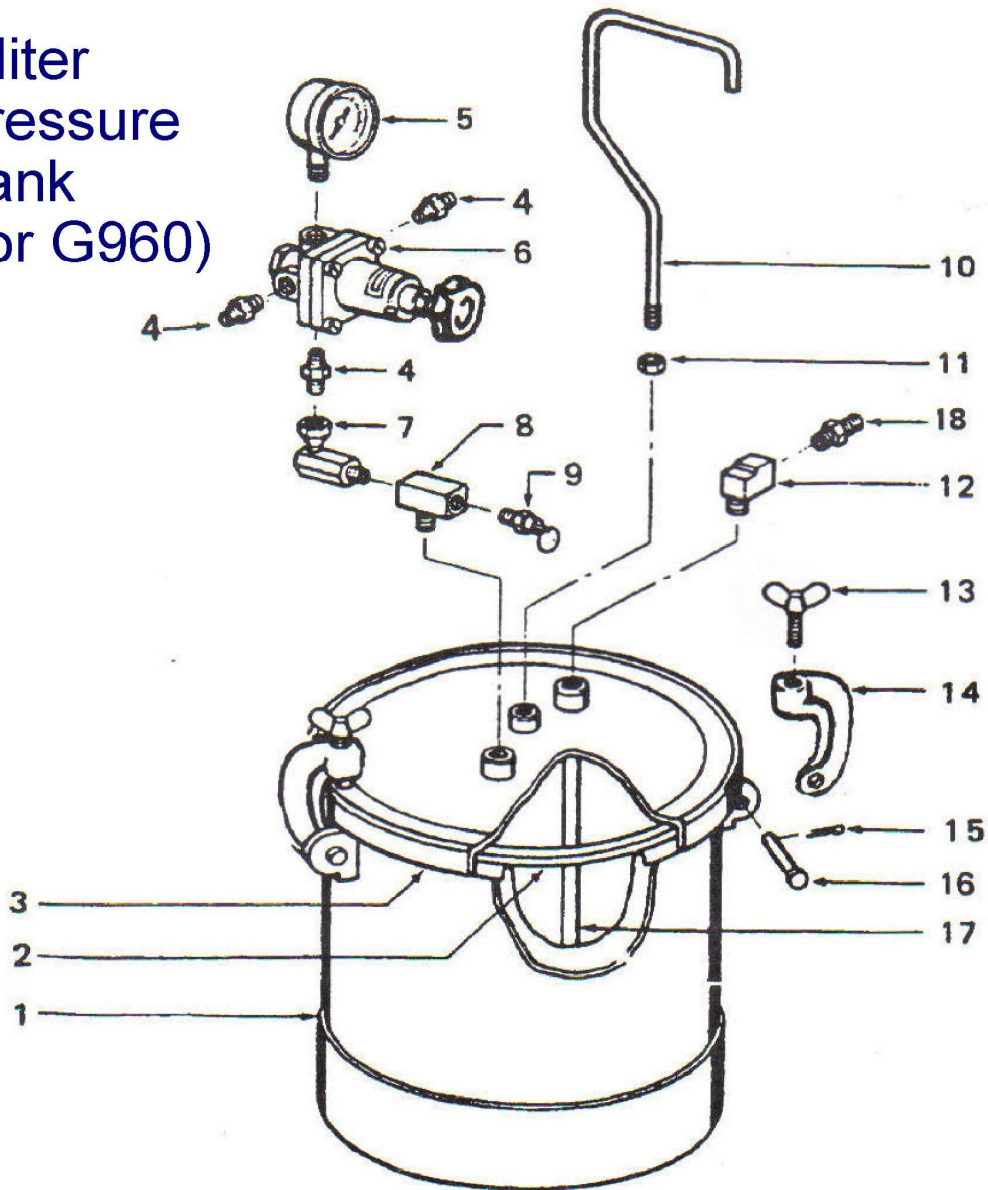
### Regulator Assembly

- PT2LRG01 Support
- PT2LRG02 Air Connection
- PT2LRG03 Latex Mat
- PT2LRG04 Valve Body
- PT2LRG05 O Ring
- PT2LRG06 Screw
- PT2LRG07 Spring
- PT2LRG08 Spring Plug
- PT2LRG09 Air Gauge
- PT2LRG10 Adj Valve
- PT2LRG11 O Ring
- PT2LRG12 Spring
- PT2LRG13 Rear Cap
- PT2LRG14 Bolt
- PT2LRG15 O Ring
- PT2LRG16 Nut
- PT2LRG17 Spring
- PT2LRG18 Adj Cap
- PT2LRG19 Front Cap
- PT2LGR20 Washer
- PT2LGR21 Rubber Washer
- PT2LGR22 Regulator Body

### Cup Assembly

- PT2LCP01 Pot Bottom
- PT2LCP02 Cup
- PT2LCP03 Fluid Tube
- PT2LCP04 Cover
- PT2LCP05 Rubber Washer
- PT2LCP06 Latex Jam
- PT2LCP07 Spring
- PT2LCP08 Relief Valve
- PT2LCP09 Paint Inlet Plug
- PT2LCP10 Center post
- PT2LCP11 Fluid Outlet
- PT2LCP12 Nut
- PT2LCP13 Handle
- PT2LCP14 Regulator Assembly
- PT2LCP15 Screw
- PT2LCP16 Check Valve
- PT2LCP17 Spring
- PT2LCP18 Washer
- PT20BAGPK100 Bag Liner

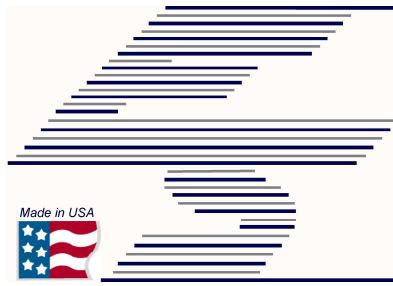
# 9 liter Pressure Tank (for G960)



## Parts Reference

PT90-001 Tank Shell Assembly  
 PT90-002 Lid Gasket  
 PT90-003 Lid Assembly  
 PT90-004 Adapter  
 PT90-005 Gauge  
 PT90-006 Regulator  
 PT90-007 Swivel Adaptor  
 PT90-008 Branch Tree  
 PT90-009 Safety Valve

PT90-010 Handle  
 PT90-011 Hex Nut  
 PT90-012 Street Elbow  
 PT90-013 Thumb Screw  
 PT90-014 Yoke Assembly  
 PT90-015 Cotter Pin  
 PT90-016 Hinge Pin  
 PT90-017 Fluid Tube  
 PT90-018 Fluid Outlet Adapter  
 PT90BAGPK100 Bag Liner



# ES Manufacturing, Incorporated

Est. 1973

## Engineered Solutions

Makers of fine tools and accessories for the fiberglass and composite industries

ES Manufacturing, Inc.  
PO Box 11692  
St. Petersburg, FL 33733-1692  
USA



G9601L2.5



G9602L2.5



G9609L2.5

Fold Here

Date of Purchase \_\_\_\_/\_\_\_\_/\_\_\_\_

Your email address \_\_\_\_\_

Your Company's Name \_\_\_\_\_

Mailing Address \_\_\_\_\_

City / State / Postal Code \_\_\_\_\_

Phone # \_\_\_\_\_ Fax # \_\_\_\_\_

Web Site \_\_\_\_\_ Email \_\_\_\_\_

Primary Lines of Business \_\_\_\_\_

How many employees at this location    1-10    11-20    21-100    100 or more

Primary use for this Spray Gun (Circle one)    Gelcoat    Resin

If "Other" please describe: \_\_\_\_\_

Is this your first G960 Gun?                      Yes                      No

Is this your first ES Mfg. product?            Yes                      No

Name of distributor this unit was purchased \_\_\_\_\_

What was your purchase price? \_\_\_\_\_

Did you purchase additional nozzles?            Yes                      No

If so what size? \_\_\_\_\_

Which was more important to your purchase?    Simplicity            Effectiveness            Price

Would you like us to send you a free catalog?    Yes                      No

Comments \_\_\_\_\_

**Important Notice:** You should copy this sheet and keep it and your original sales receipt. Return this form with a copy of your sales invoice. Failing to return this form will void your warranty.

Note: Visit our website for duplicate copies of parts diagrams or instructions.