



ES MANUFACTURING, INCORPORATED
ENGINEERED SOLUTIONS FOR
COMPOSITES MANUFACTURING
US/CANADA 800-55ES-MFG
727-323-4040 FAX 727-327-9872
E-MAIL: esmfg@aol.com



MB60-115V/MB60-220V - (1150 rpm)
Industrial Fiberglass Cutter
Documentation & Warranty Packet

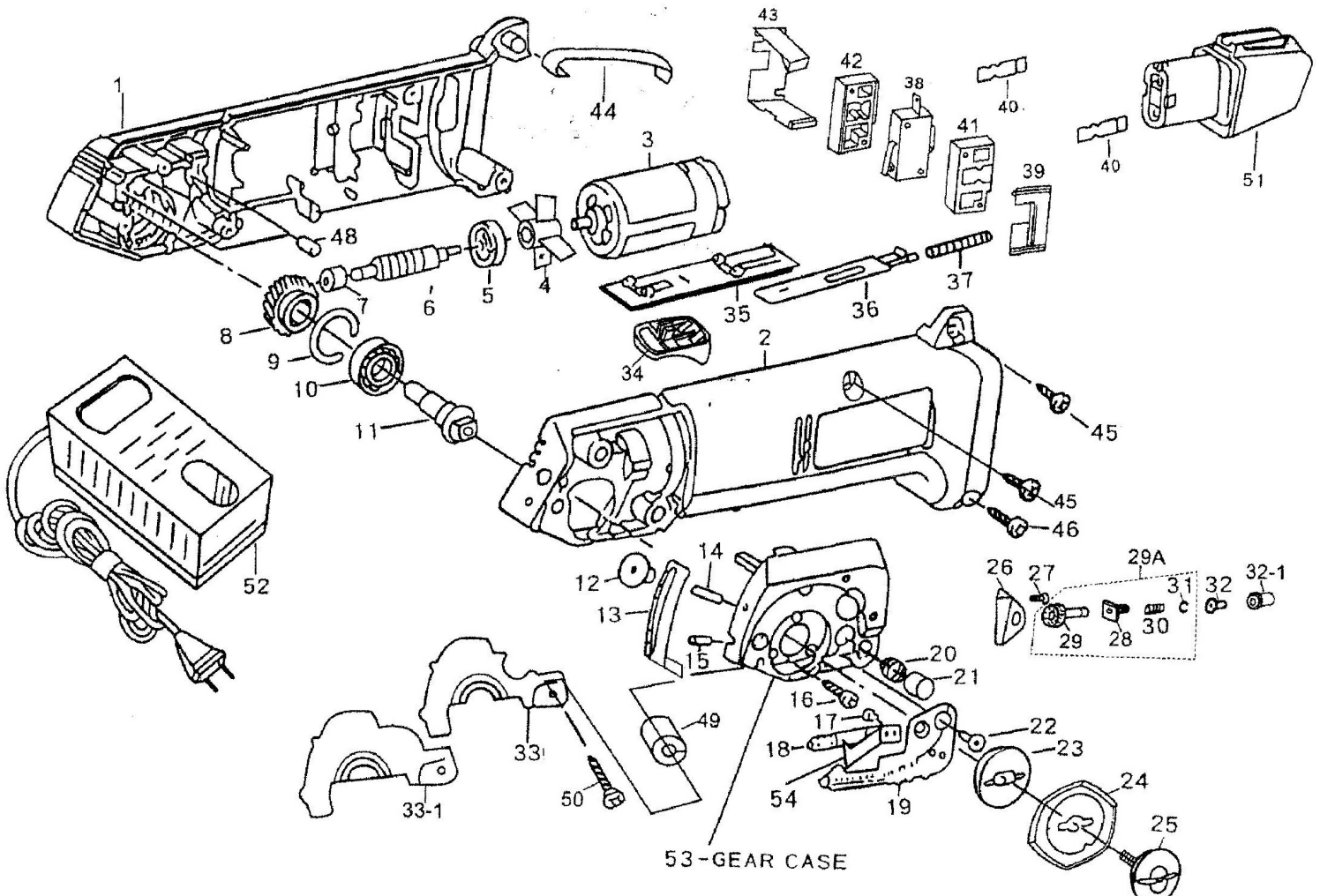
Thank you for purchasing the MB60 Fiberglass Cutter. If properly maintained, your MB60 will provide years of trouble free service.

WARRANTY

This model **MB60 115V/220V** is warranted against defects for a period of 60 days. Keep your original sales receipt for proof of purchase. ES Mfg., Inc. will replace or repair any defective part, either directly, or through the distributor, at the option of ES Mfg. ES Mfg. Reserves the right to inspect the merchandise at our facility, and is not responsible for transportation cost to ES Mfg. ES Mfg. Is not responsible for damage, loss, lost production or any other expenses due to the failure of this product. No other warranty is expressed or implied.

Copyright 2007 ®
ES Manufacturing, Inc.
2647 24th Street N.
St. Petersburg, FL 33713

MB60 115V/220V Fiberglass Cutter - Parts Diagram



| | | | |
|-------------------------|-----------------------------------|-----------------------------|----------------------------|
| MB60-001 Right Housing | MB60-018 Cutting Blade w/ Carbide | MB60-032-1 Sleeve For 29A | MB60-050 Knife Lock Screw |
| MB60-002 Left Housing | MB60-019 Leg | MB60-033 Knife Guard | MB60-051 Battery 115V |
| MB60-003 Motor | MB60-020 Spring | MB60-034 ON-OFF Handle | MB60-051 Battery 220V |
| MB60-004 Motor Fan | MB60-021 Oil Felt | MB60-035 Switch Hosing | MB60-052-115V Bat. Charger |
| MB60-005 Ball Bearing | MB60-022 Screw | MB60-036 Slide | MB60-052-220V Bat. Charger |
| MB60-006 Worm Gear | MB60-023 Helix Gear Support | MB60-037 Spring | MB60-053 Gear Case |
| MB60-007 Bushing | MB60-024 Blade 115V | MB60-038 Micro Switch | MB60-054 Guide Plate |
| MB60-008 Helix Gear | MB60-024 Blade 220V | MB60-039 Switch Holder | |
| MB60-009 Retaining Ring | MB60-025 Knife Lock Screw | MB60-040 Switch Slide | |
| MB60-010 Ball Bearing | MB60-026 Sharpener Holder | MB60-041 L. Switch Clip | |
| MB60-011 Gear Shaft | MB60-027 Screw | MB60-042 R. Switch Clip | |
| MB60-012 Nut | MB60-028 Square Sleeve For Stone | MB60-043 Switch Holder | |
| MB60-013 Finger Guard | MB60-029 Stone | MB60-044 Battery Clamping | |
| MB60-014 Screw | MB60-029A Stone Assy. | MB60-045 Screw | |
| MB60-015 Screw | MB60-030 Spring | MB60-046 Screw | |
| MB60-016 Screw | MB60-031 Ring | MB60-048 Stopper | |
| MB60-017 Screw | MB60-032 Push Knob For Stone | MB60-049 Knife Guard Socket | |



MB60 Supplemental Maintenance Procedures

Lubrication:

Most components do not need lubrication, as they are designed to be self oiling. During normal operation, page 6, figure 1 indicated an oil hole. This hole is located in part MB60-001 right housing. This should be lubricated twice daily. This will send lubrication to MB60-021 Oil Felt, and lubricate the exposed pieces.

If any repair or replacement is made for parts MB60-004 through MB60-011, a light grease should be applied to all working components from MB60-006 through MB60-011. By lubricating these components, you will extend the life of all related components.

Battery Maintenance:

Always allow the battery to completely charge. It is always tempting to charge it “just enough”, but do not do this. It will shorten the life of your battery, and make subsequent charges last for a shorter time.

Special Note 1:

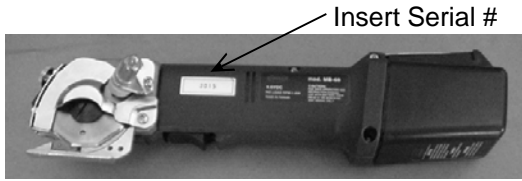
MB60-054 Guide Plate should be inspected twice daily. This component must be kept in good form to reduce glass fiber from getting jammed into and underneath the blade and counter blade areas. The MB60-054 is also a good spare part to keep with you in case of damage.

Special Note 2:

MB60-004 Motor Fan serves two purposes. First is to keep the motor cool. Second is to connect the motor to the initial worm gear MB60-006. If something is jammed into the cutting area of the MB60, this is likely to be the first part to fail. It is relatively easy to replace, and inexpensive part, and is a good opportunity to lubricate the main drive parts, MB60-006 through MB60-011.

After several years of supplying these cutters to the fiberglass industry, we have found these to be helpful hints to long life of your MB60 cutter.

MB60



Important Notice:
Failure to return
this sheet with a
copy of the original
sales receipt will
void warranty.

ES Manufacturing, Inc.
P.O. Box 11692
St. Petersburg, FL 33733- 1692 USA

If you have pictures of your products,
we would like to use them at our
domestic and international trade shows.

FOLD HERE

Visit our website at
[esmfg.com!](http://esmfg.com)

To authenticate the warranty, the warranty sheet MUST be mailed to ES Manufacturing with a copy of the original sales receipt.

Date of Purchase: _____

Company Name: _____

Street Address: _____

City / State / Zip: _____

Phone#: _____ Fax#: _____

Contact: _____

Web site: _____ Email Address: _____

Primary Line of Business: _____

Primary Use for the MB-60 Fiberglass Carpet Other

If Other, Describe: _____

Is this your first ES Mfg., Inc. purchase? Yes No

Who did you purchase this unit from?: _____

Invoice # _____ What was your purchase price?: _____

Did you purchase additional blades?: Yes No

Which was more important in your purchase?:

Simplicity Effectiveness Price Reputation

Would you like a free catalog?: Yes No

Comments: _____

Please return this sheet in the enclosed envelope.